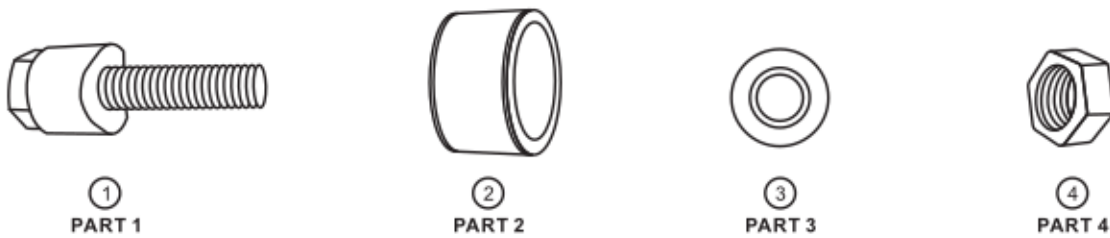
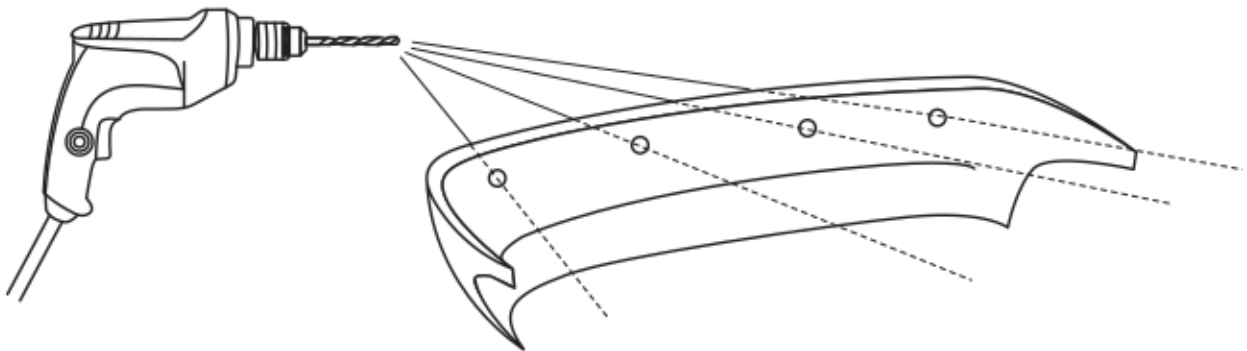


Hole saw instruction of original car sensor

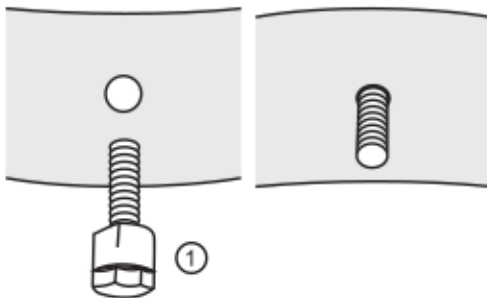
Make the hole saw as the 4 parts below :



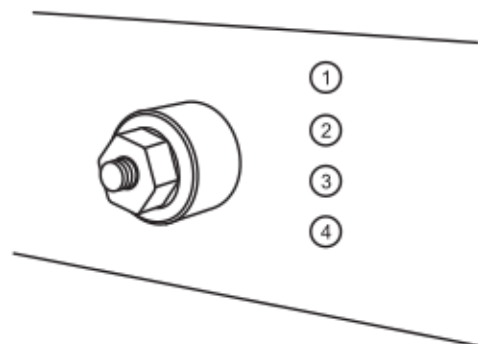
STEP 1 Drill a hole on the car bumper, the hole saw diameter is 8mm



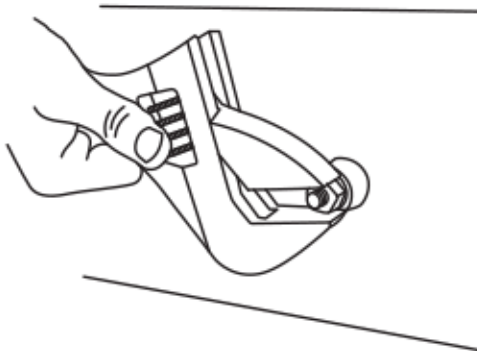
STEP 2 Use PART 1 "①" to pass through the 8mm hole.



STEP 3 Put PART 2 "②", PART 3 "③" and PART 4 "④" into the backside of the PART 1 "①" from the inner of bumper



STEP 4 Use wrench to screw the PART 4 "④" nuts till the hole was drilled



STEP 5 The hole was finally drilled

